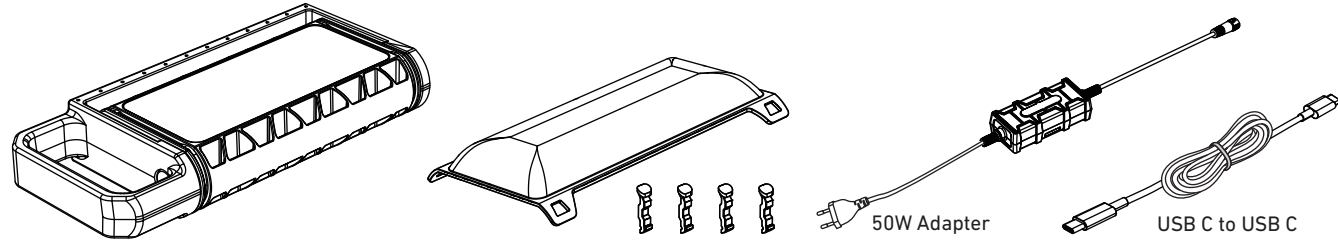


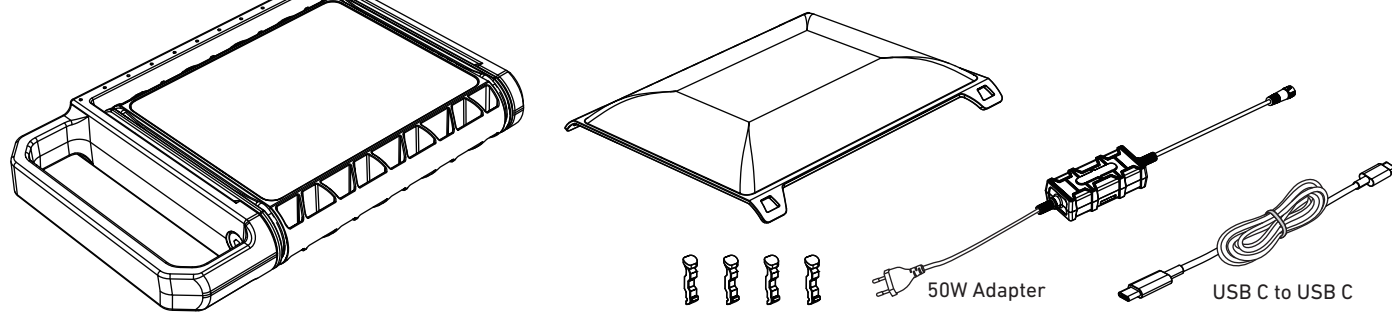
LEDLENSER AF4R Work/AF8R Work

LEDLENSER AF4R Work/AF8R Work

AF4R Work



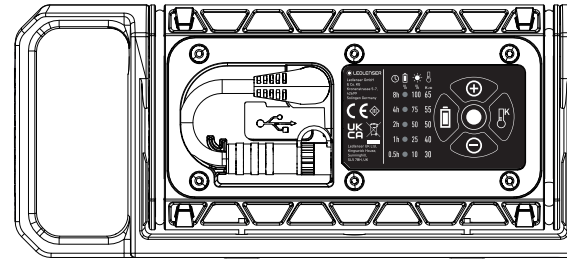
AF8R Work



AF4R Work

LED Module: AT10C CCT LED Module

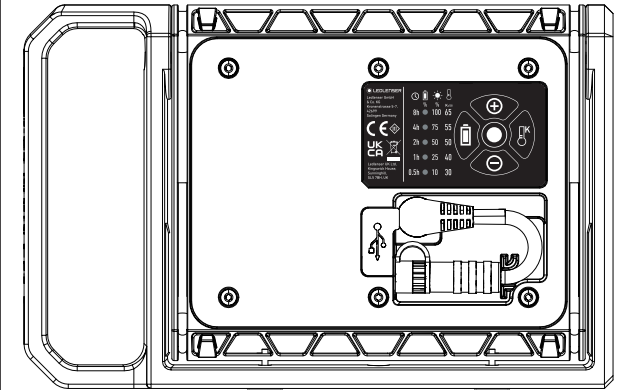
This product contains light sources of energy efficiency class E
 Dieses Produkt enthält eine Lichtquelle der Energieeffizienzklasse E
 Este producto contiene una fuente luminosa de la clase de eficiencia energética E
 Ce produit contient une source lumineuse de classe d'efficacité énergétique E



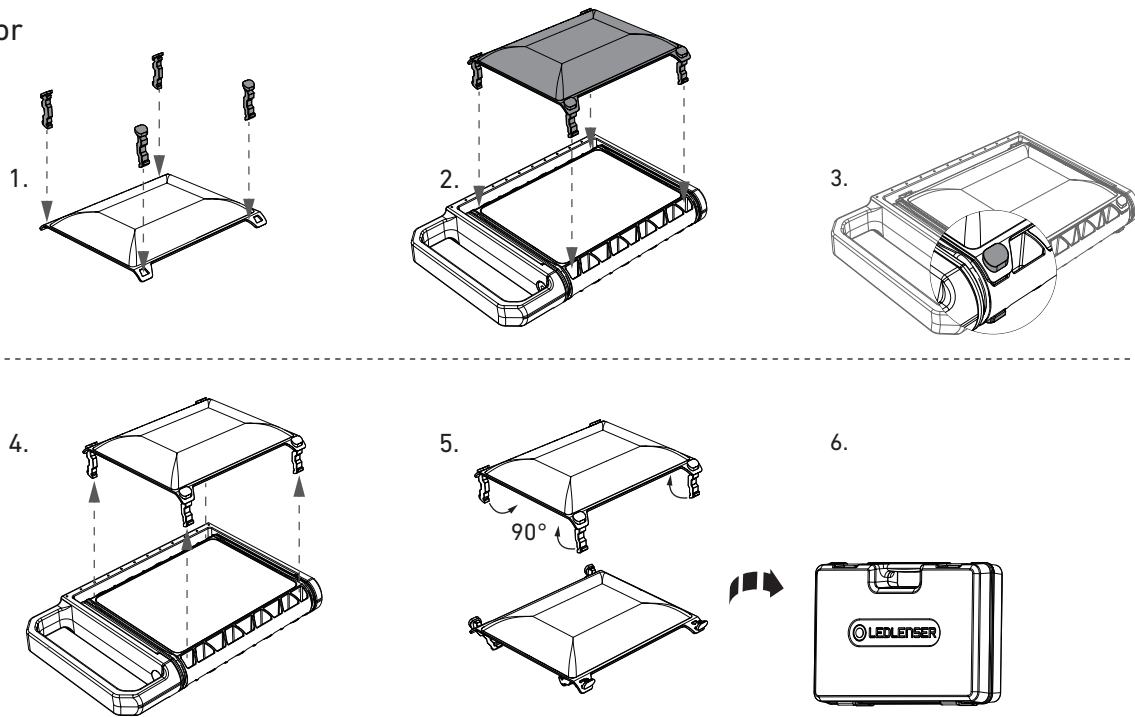
AF8R Work

LED Module: AT10C CCT LED Module

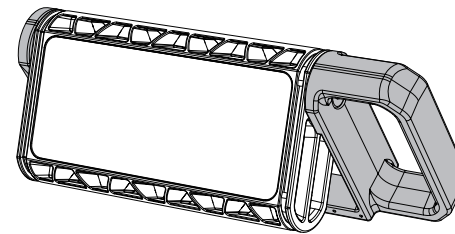
This product contains light sources of energy efficiency class E
 Dieses Produkt enthält eine Lichtquelle der Energieeffizienzklasse E
 Este producto contiene una fuente luminosa de la clase de eficiencia energética E
 Ce produit contient une source lumineuse de classe d'efficacité énergétique E



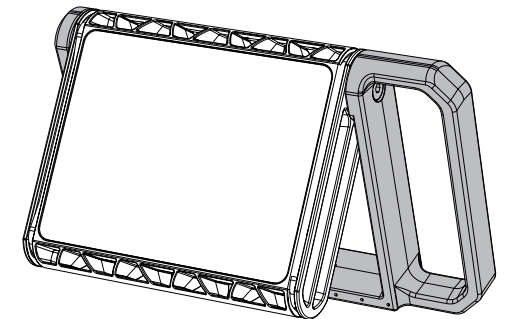
Diffusor



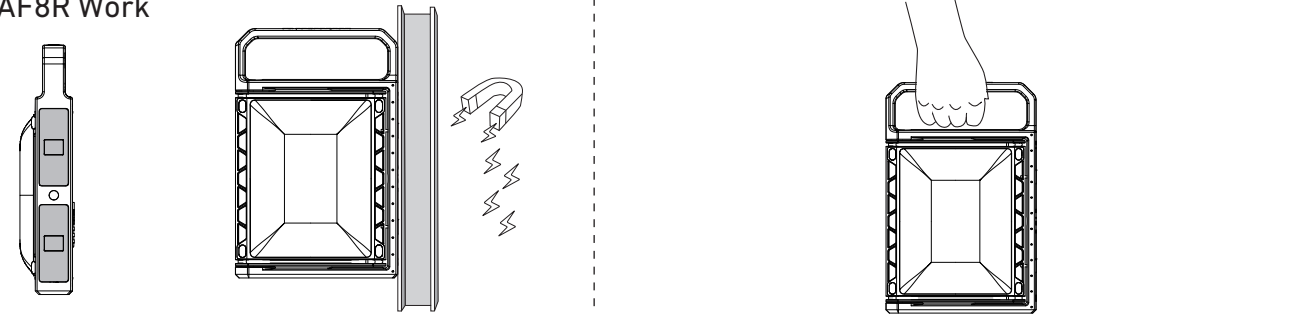
AF4R Work



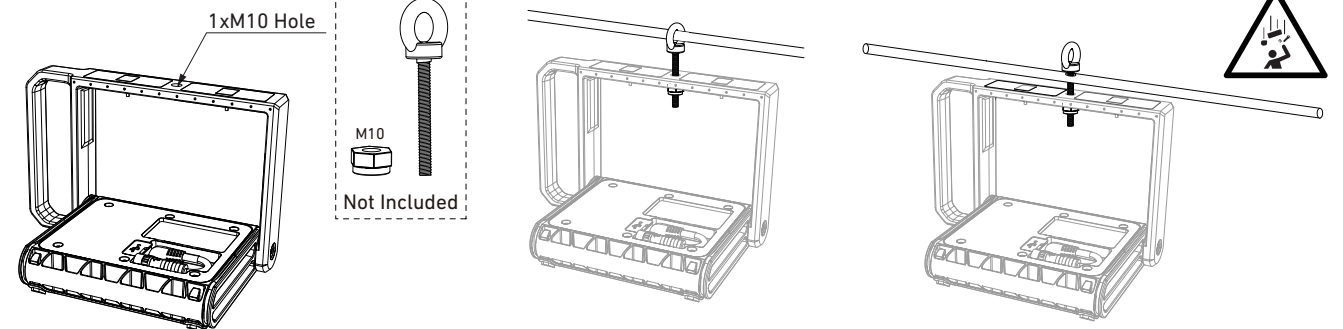
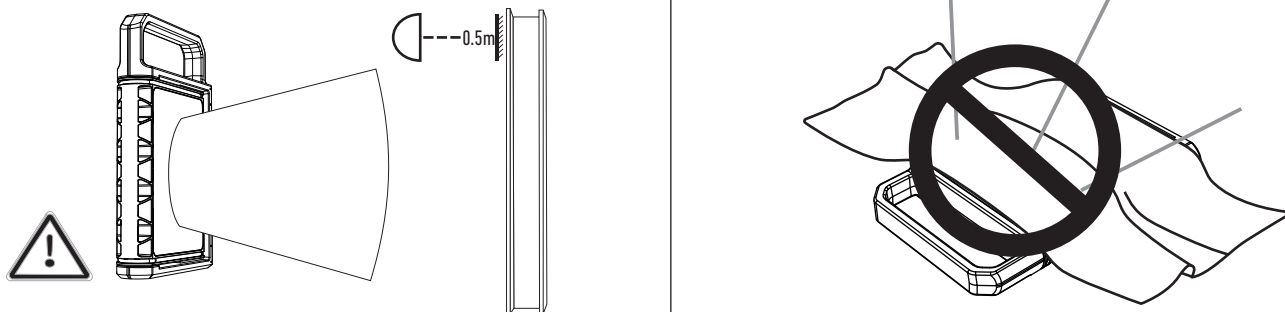
AF8R Work



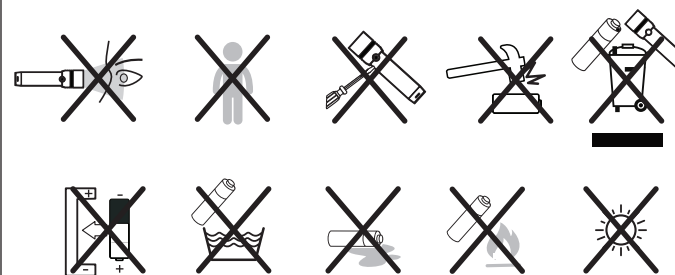
AF4R/AF8R Work



Minimum distance from lighted objects



Product			
IP Class	IP67	IP44	IP20



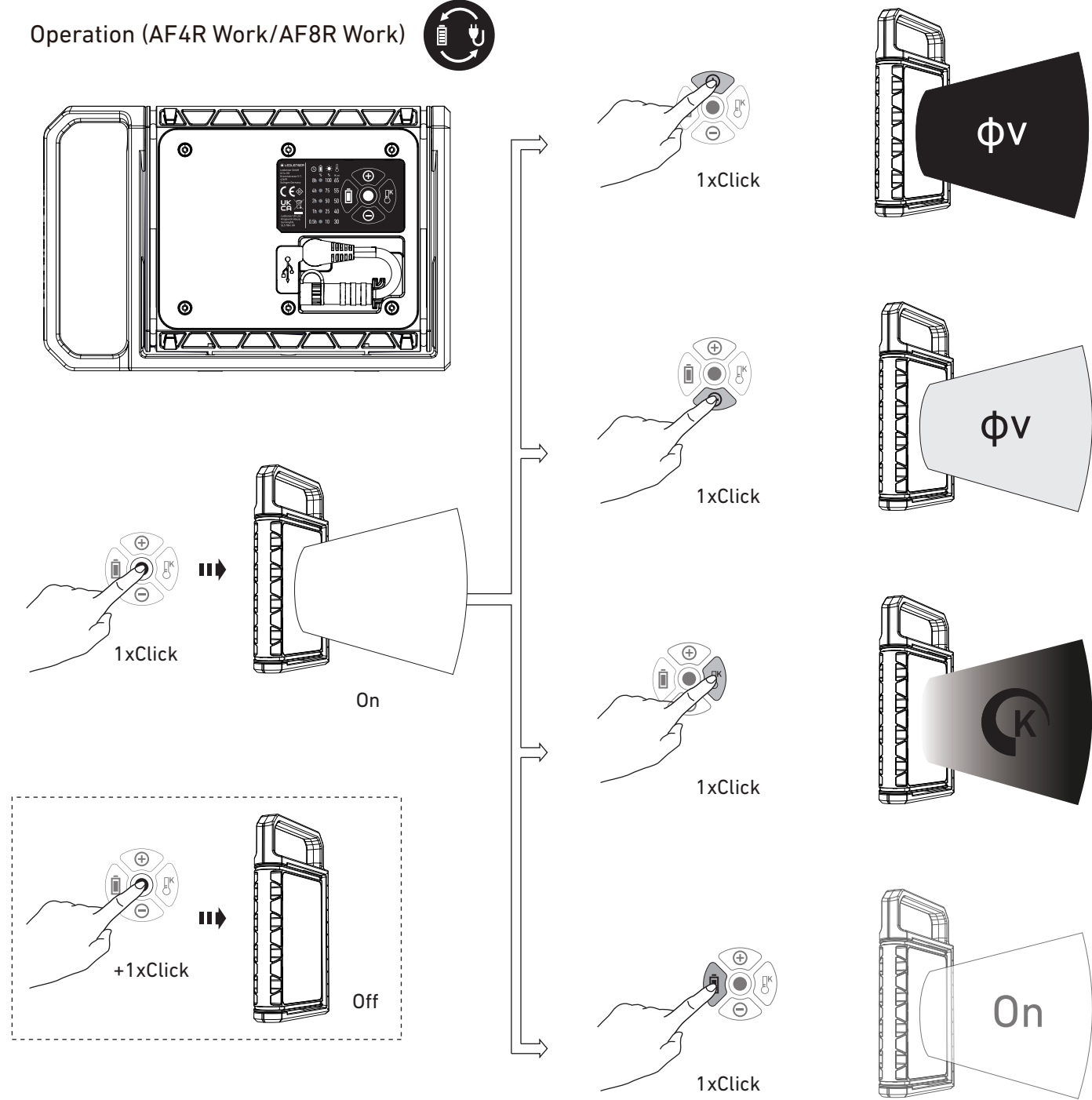
Ledlenser GmbH & Co. KG
 Kronenstrasse 5-7 • 42699 Solingen • Germany
 Phone +49 212/5948-0 Fax +49 212/5948-200
 info@ledlenser.com



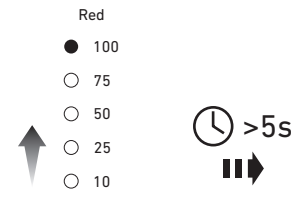
LEDLENSER AF4R Work/AF8R Work

LEDLENSER AF4R Work/AF8R Work

Operation (AF4R Work/AF8R Work)



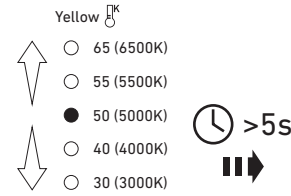
Luminous flux
10% → 100%



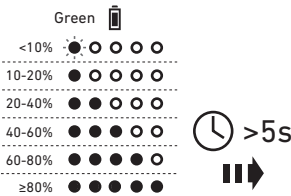
Luminous flux
100% → 10%



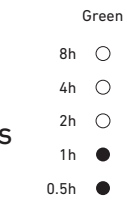
Color temperature
3000K ↔ 6500K



Battery indicator



Runtime



Runtime



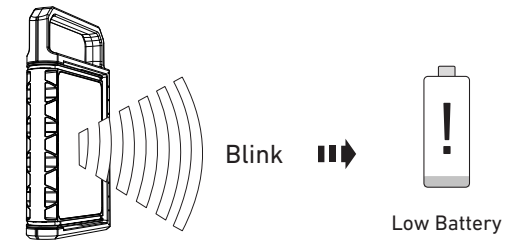
Runtime



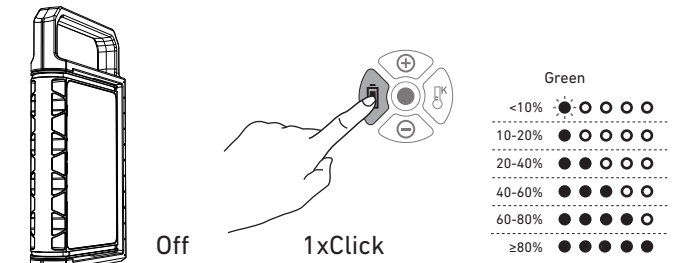
Runtime



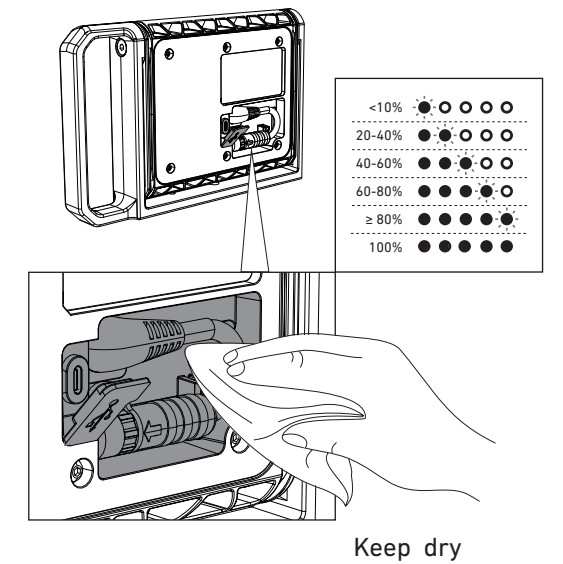
Low Battery Warning (AF4R Work/AF8R Work)



Battery Indicator (AF4R Work/AF8R Work)



Charging System (AF4R/AF8R Work)



Transportation Lock (AF4R Work/AF8R Work)

