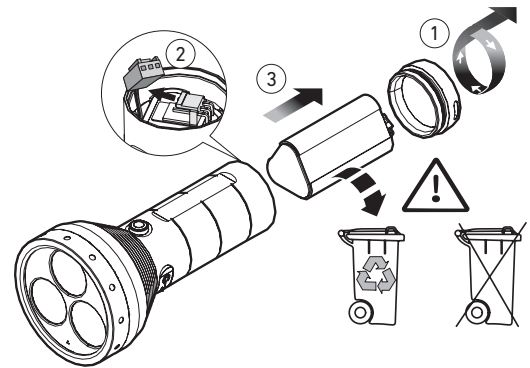
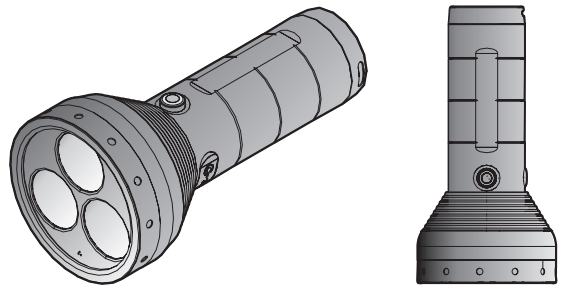
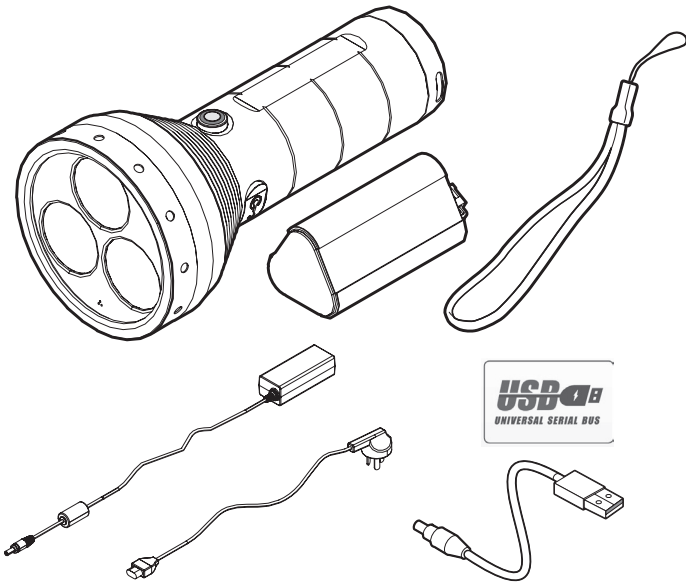
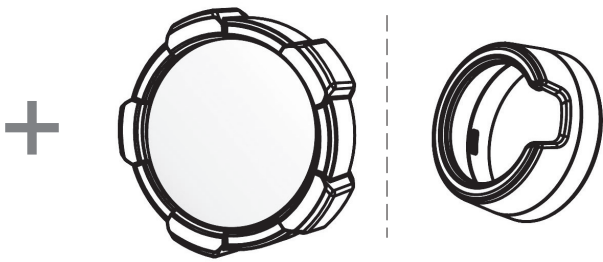


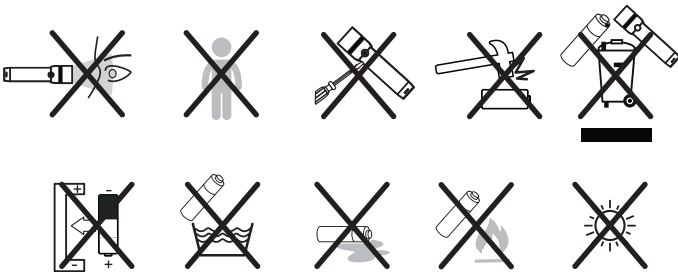
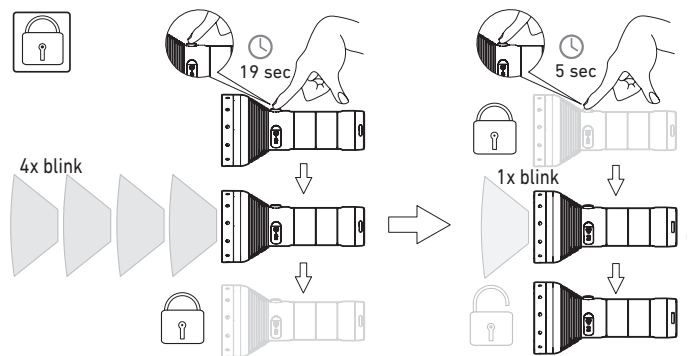
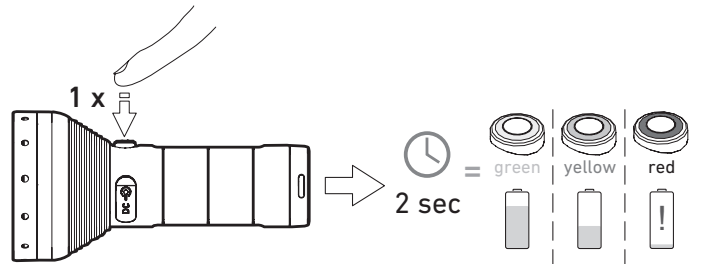
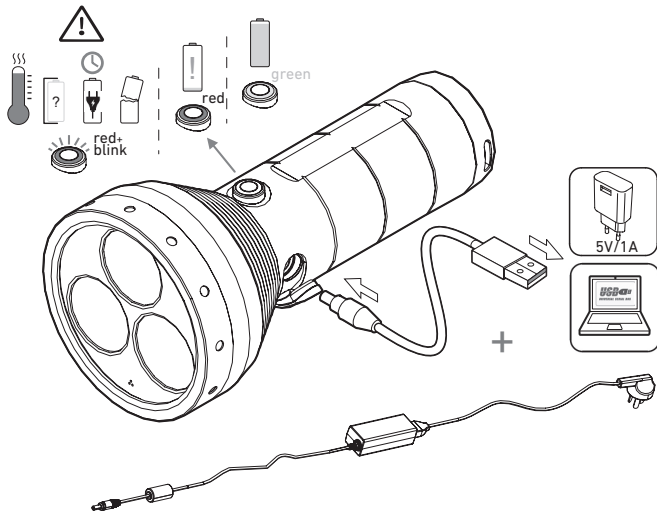
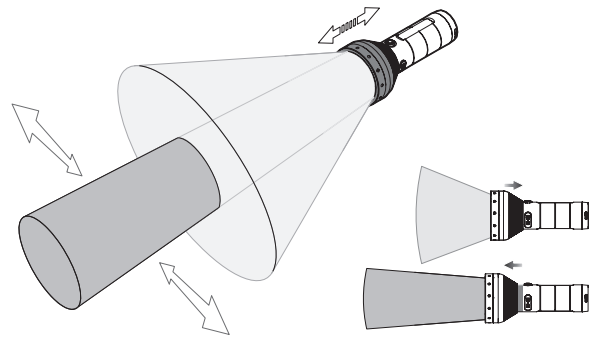
MT18/i18R



i18R



item No. 501507/501508/501509/501510



Ledlenser GmbH & Co. KG
 Kronenstr. 5-7 • 42699 Solingen • Germany
 Phone +49 212/5948-0 Fax +49 212/5948-200
 info@ledlenser.com

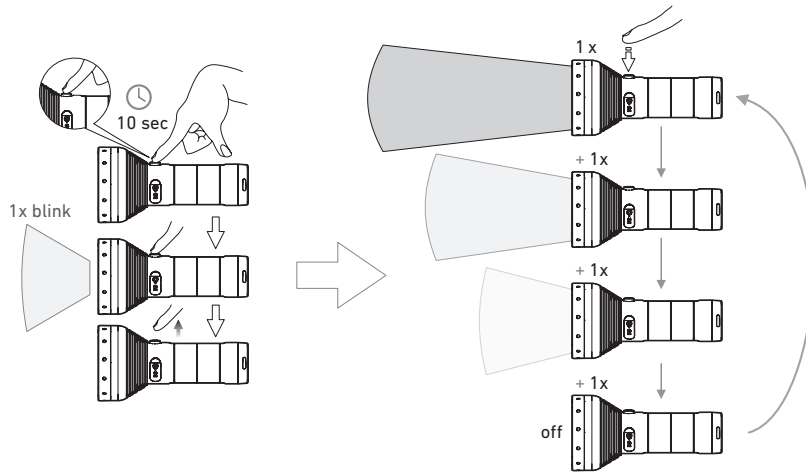


www.ledlenser.com

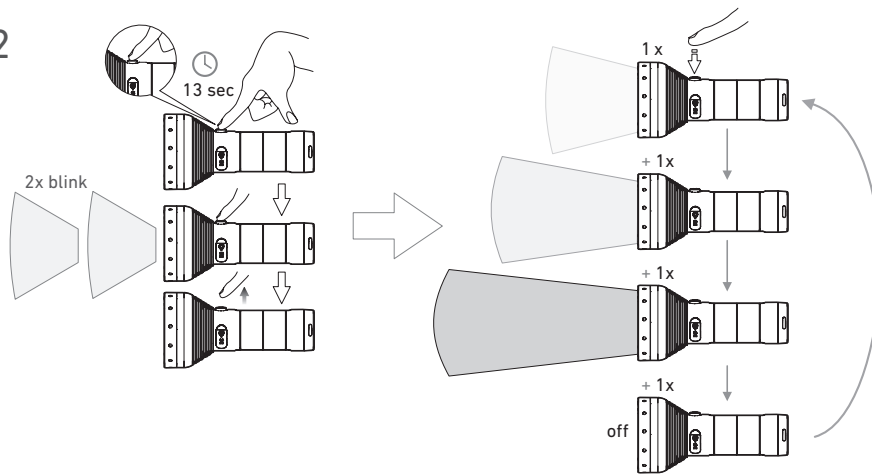


MT18_i18R_V.04
 01.11.2017

Mode 1



Mode 2



Mode 3

