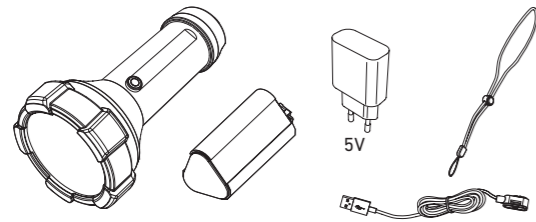
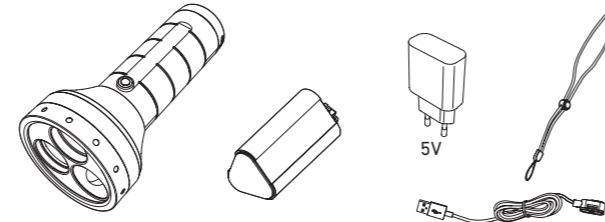


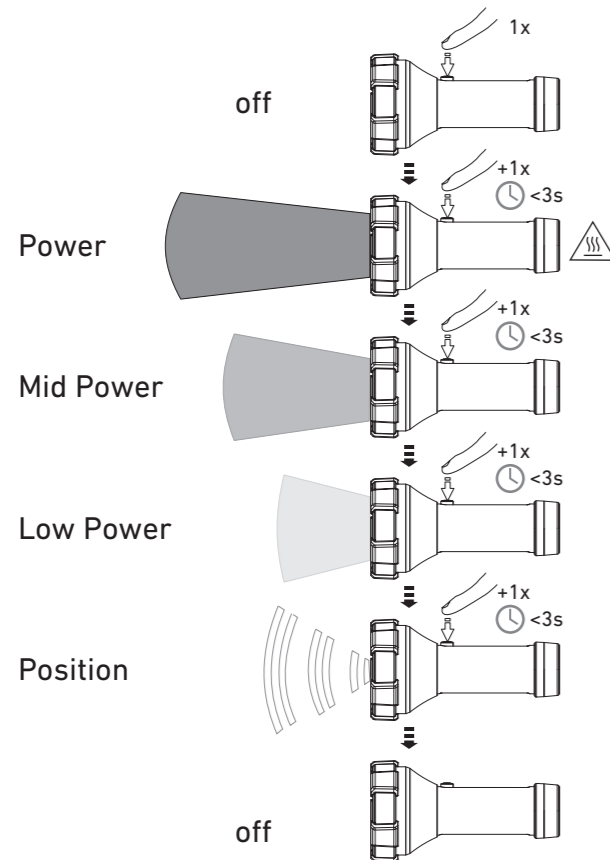
P18R Work



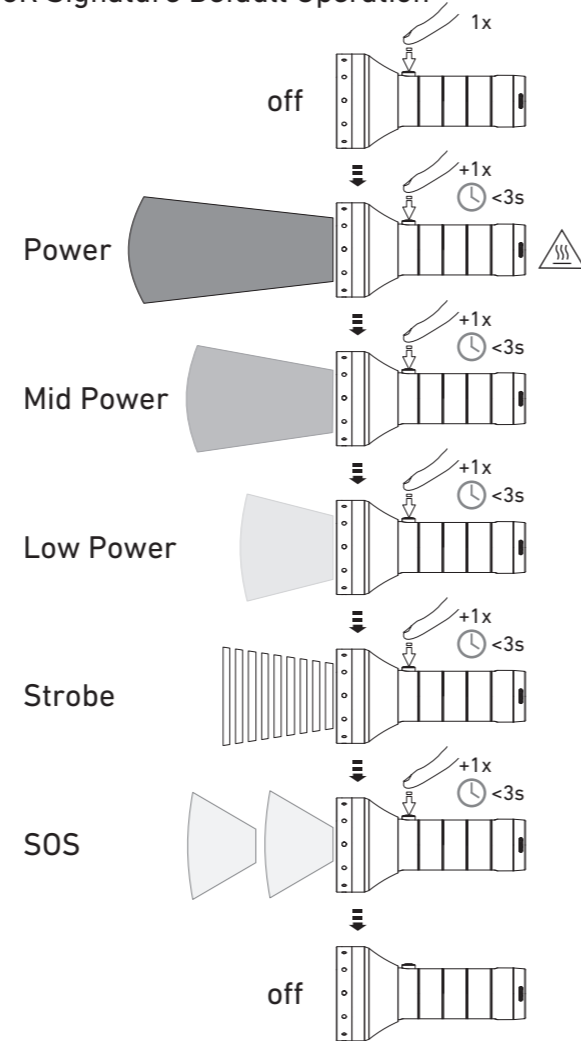
P18R Signature



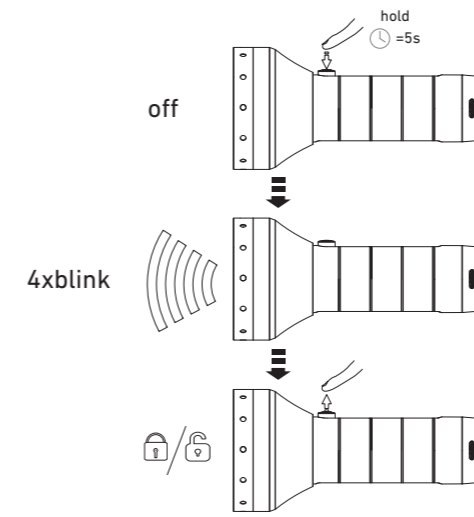
P18R Work Default Operation



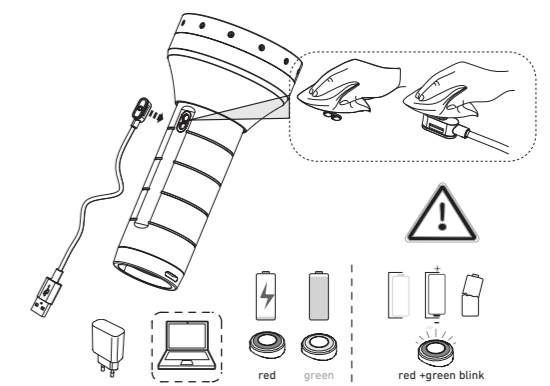
P18R Signature Default Operation



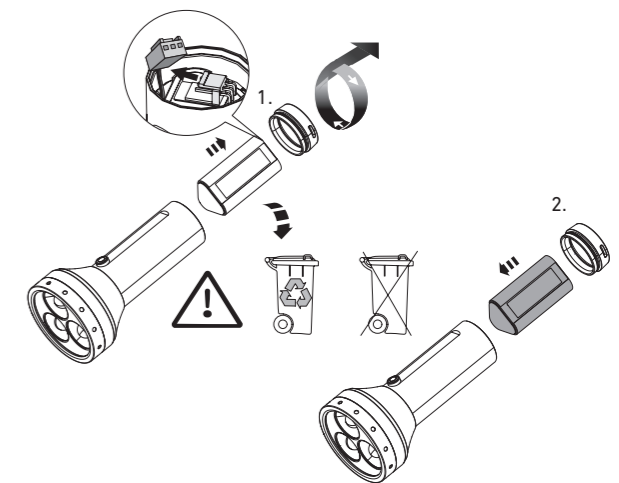
Transportation Lock



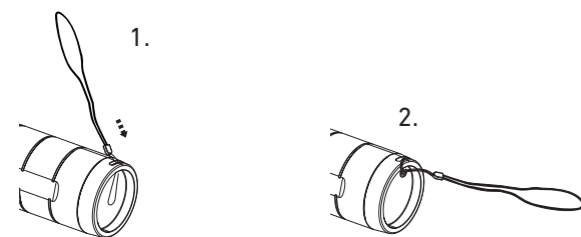
Magnetic Charging System



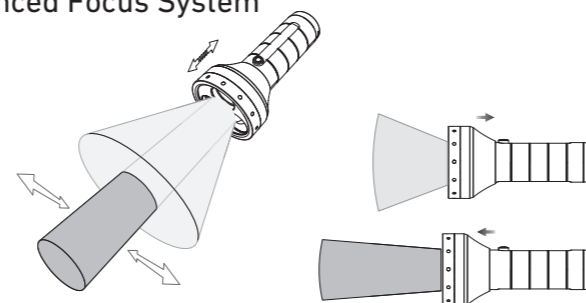
Battery Replacement



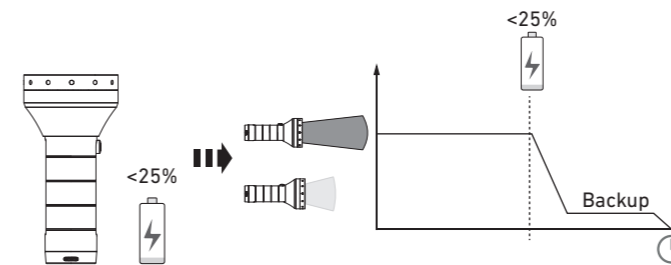
Lanyard



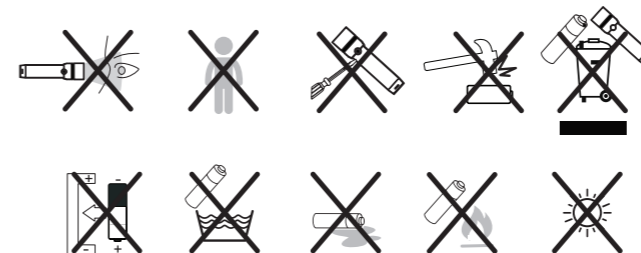
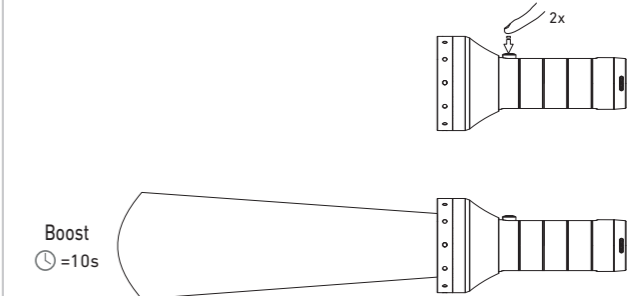
Advanced Focus System



Backup Mode



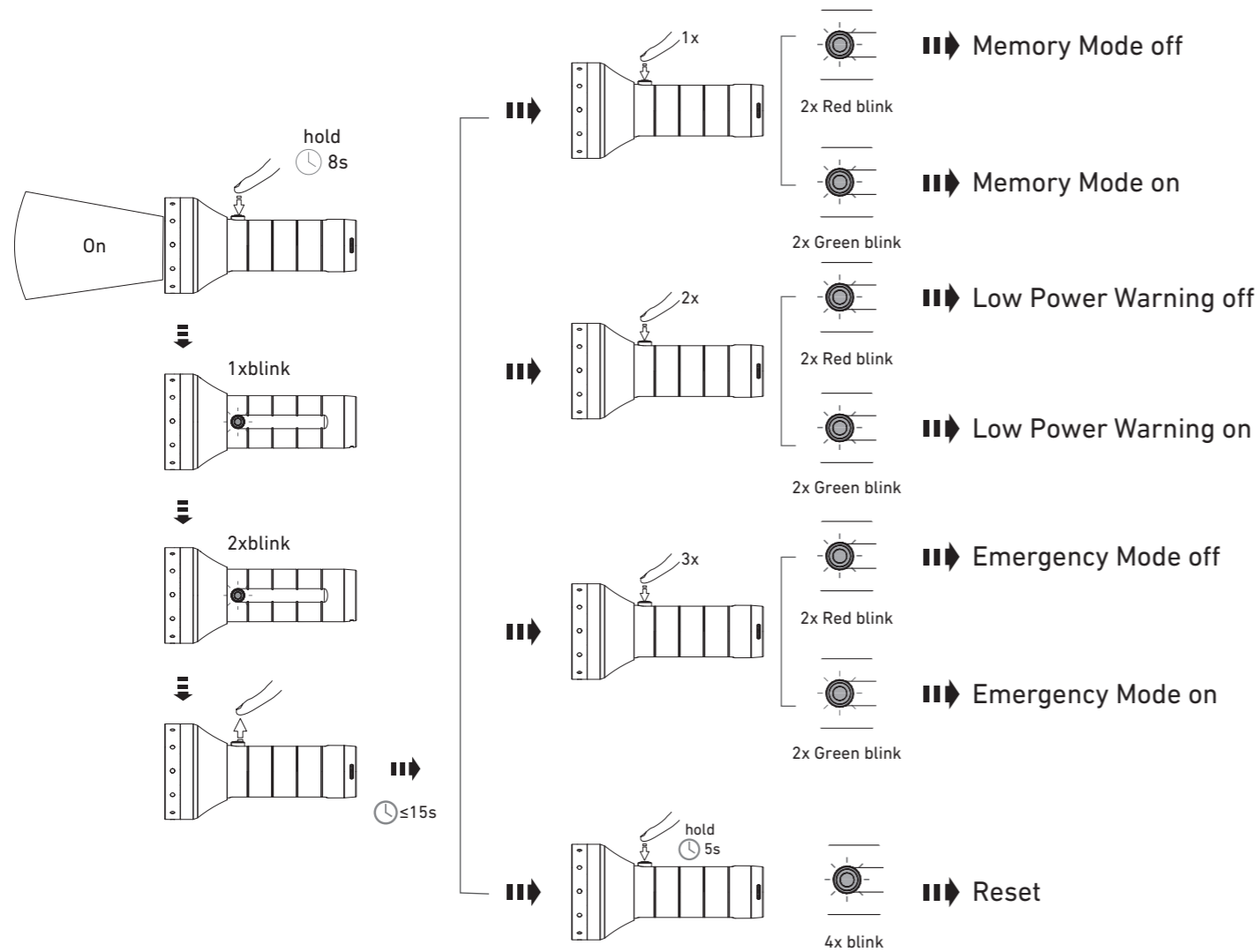
Boost



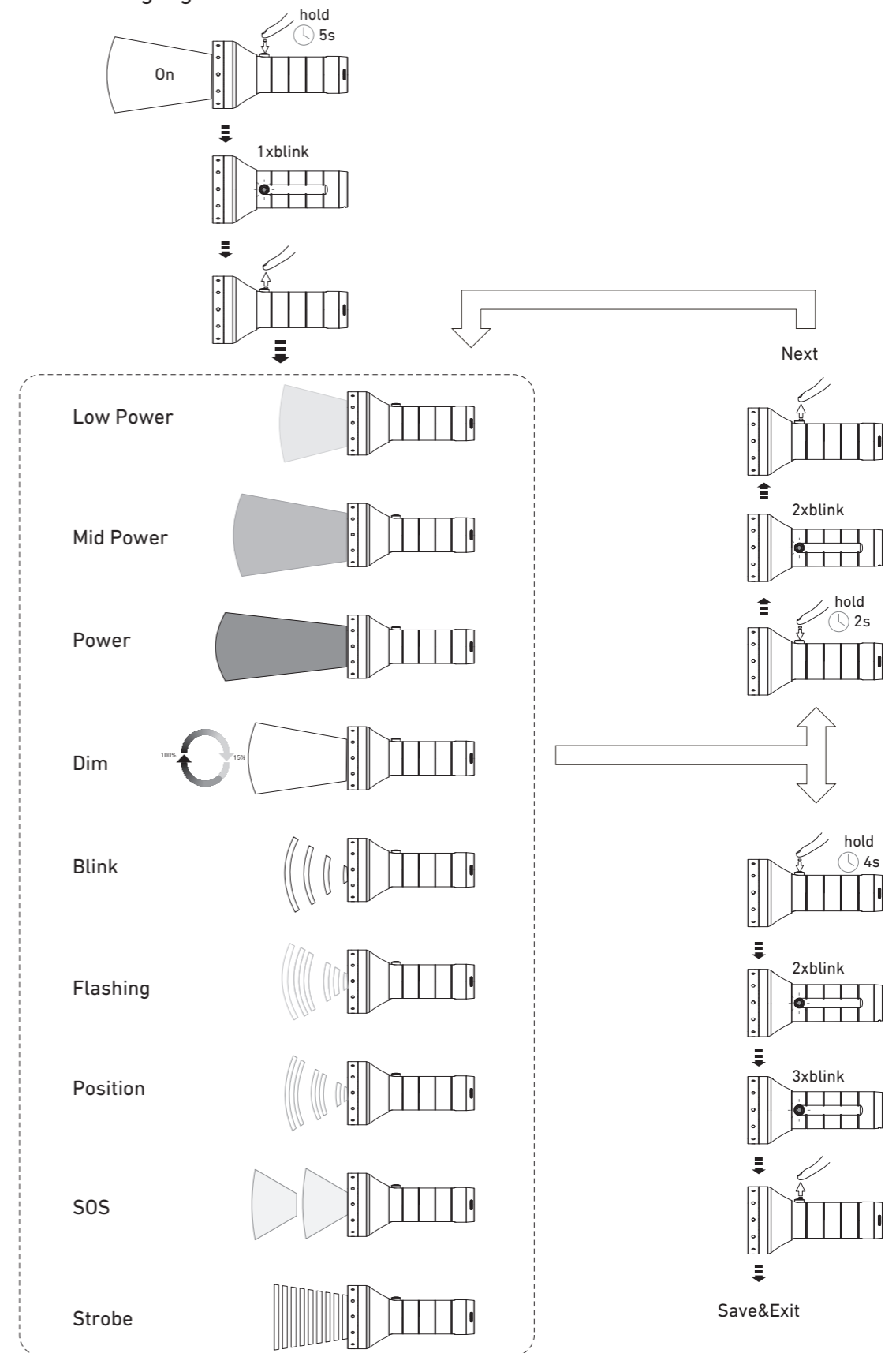
Ledlenser GmbH & Co. KG  
 Kronenstr. 5-7 • 42699 Solingen • Germany  
 Phone +49 212/5948-0 Fax +49 212/5948-200  
 info@ledlenser.com



### Customizing Functions



### Customizing Light Modes



### Further Information

