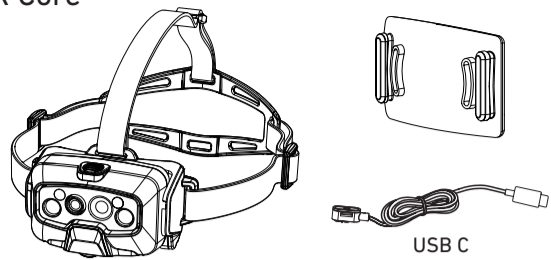
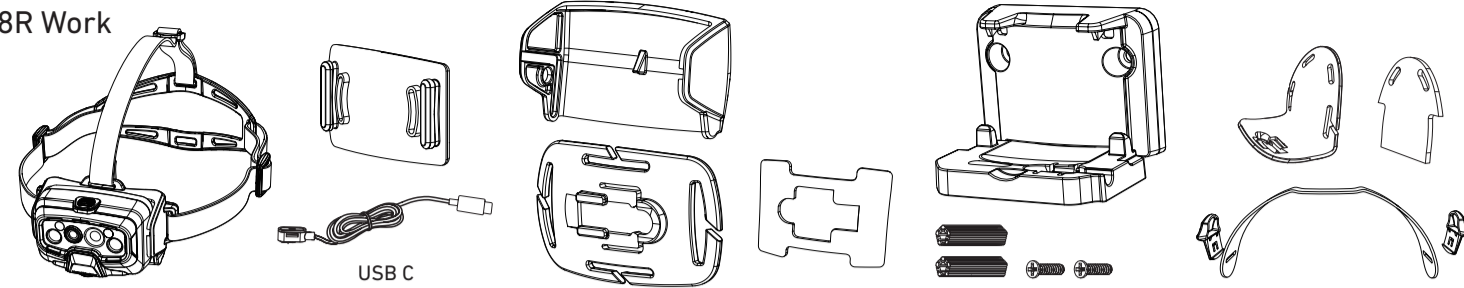


LEDLENSER HF8R

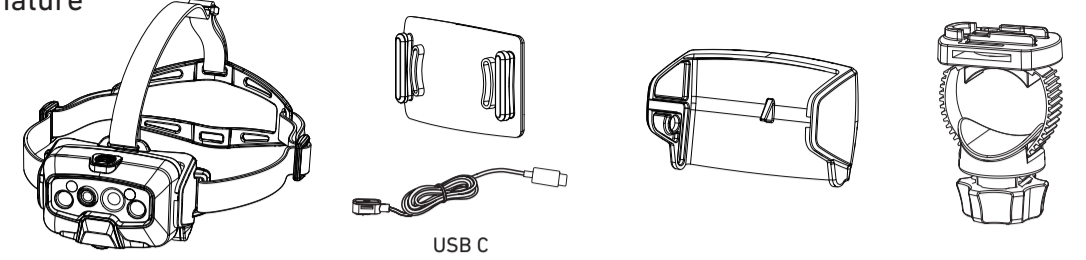
HF8R Core



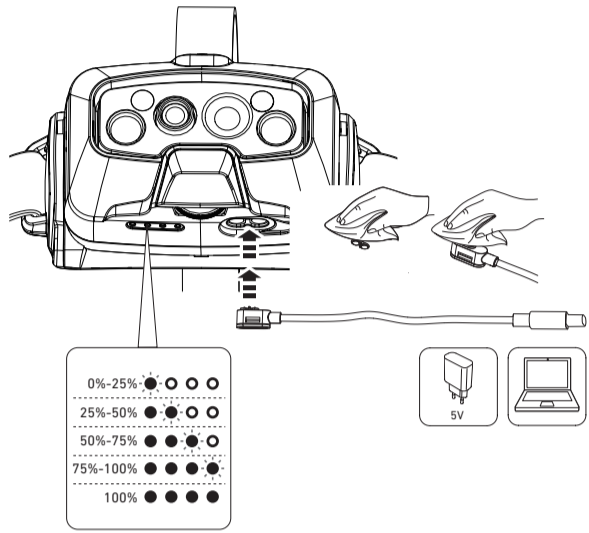
HF8R Work



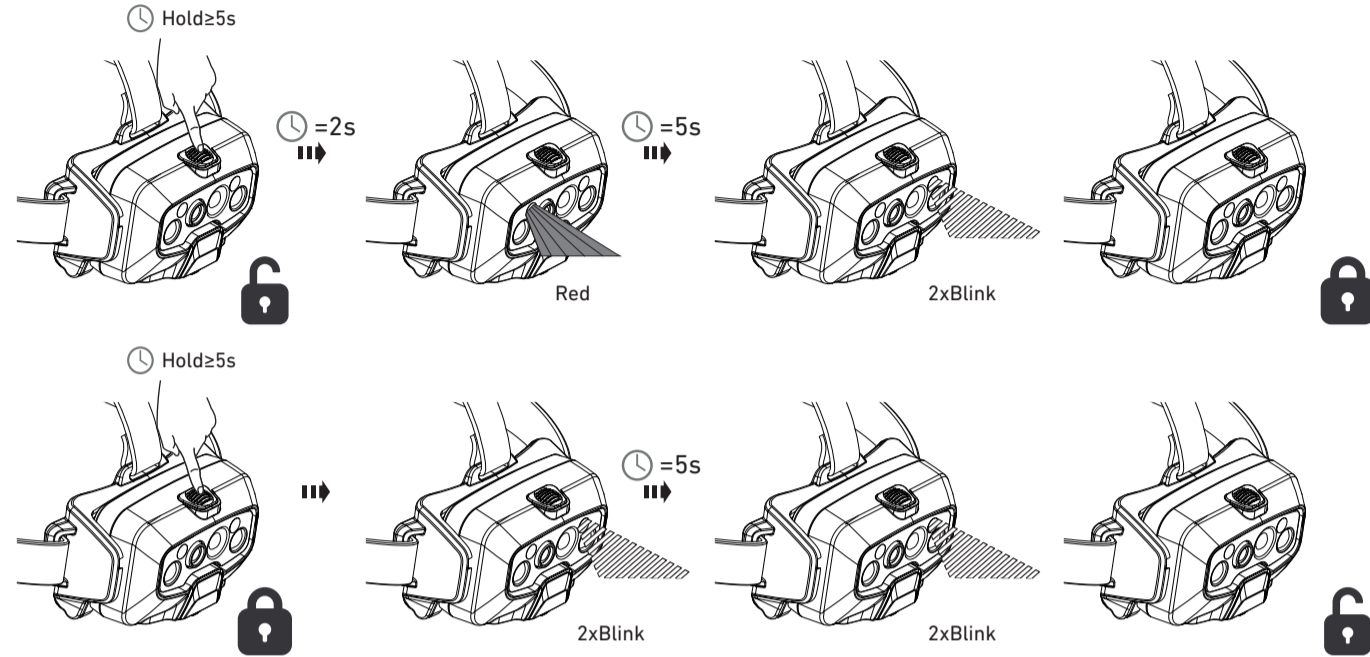
HF8R Signature



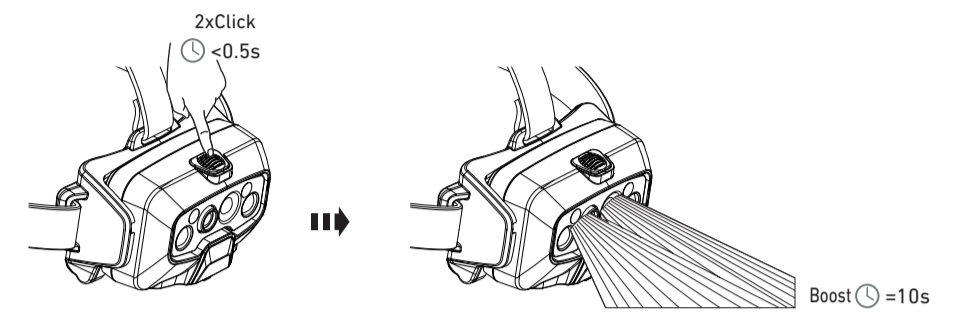
Magnetic Charge System



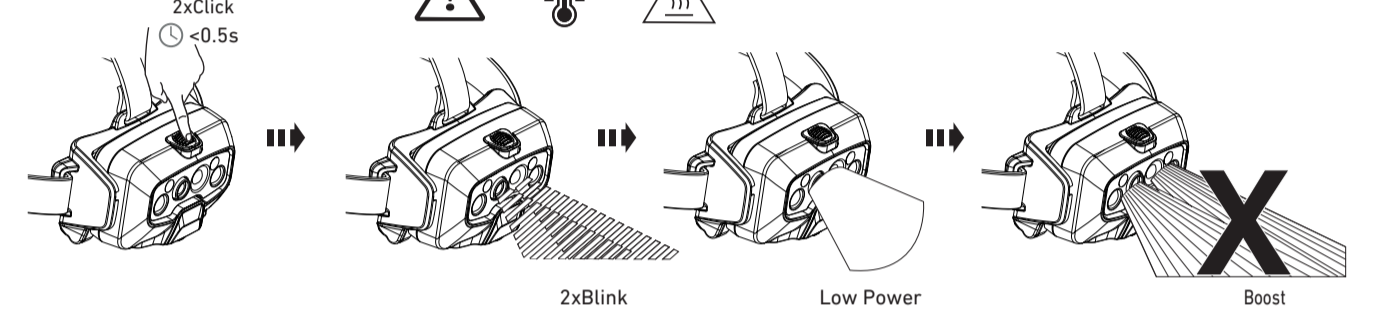
Transportation Lock



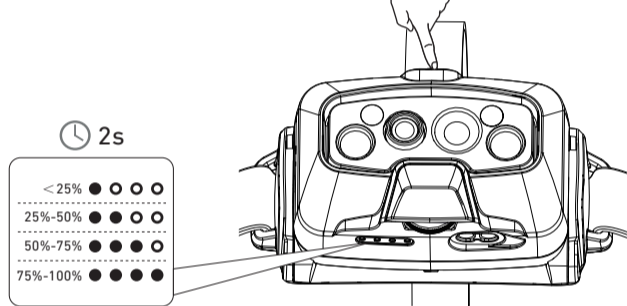
Boost



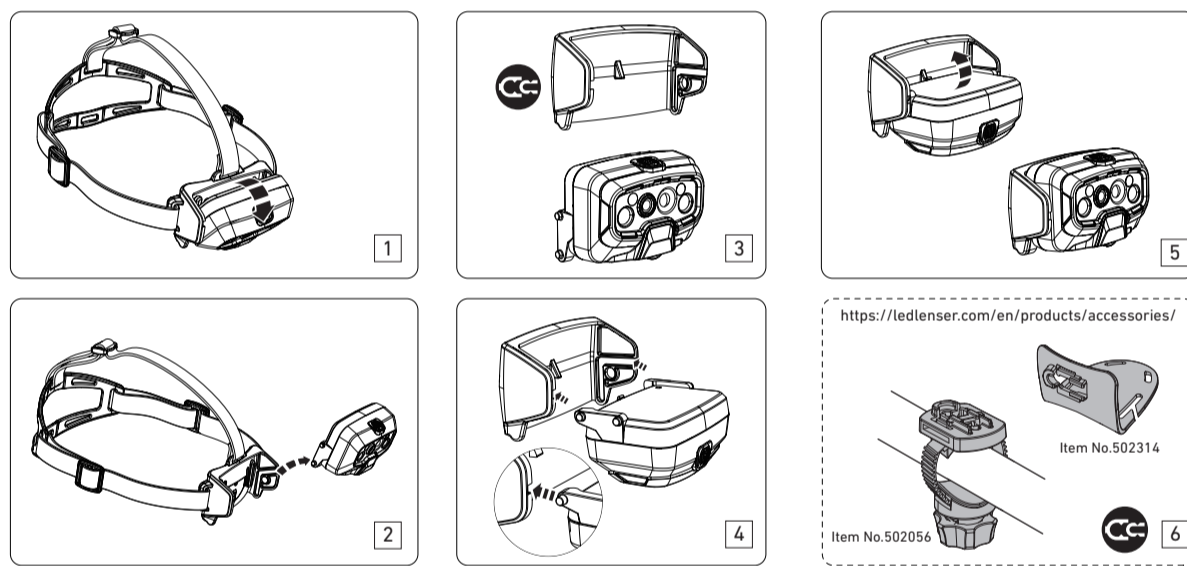
Boost Overheat Warning



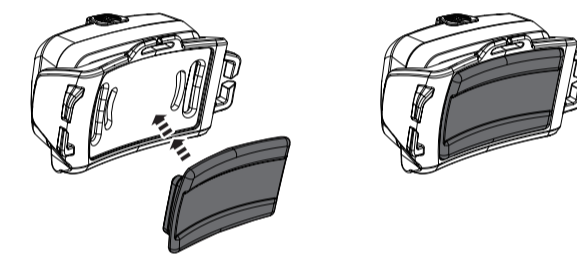
Battery Indicator



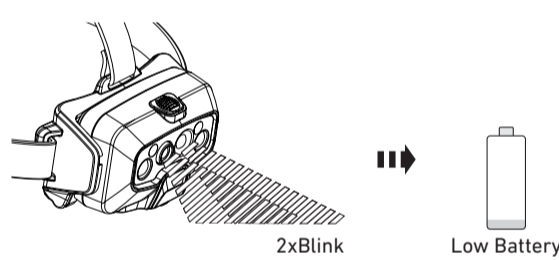
Connecting System Adapter (HF8R Work/HF8R Signature)



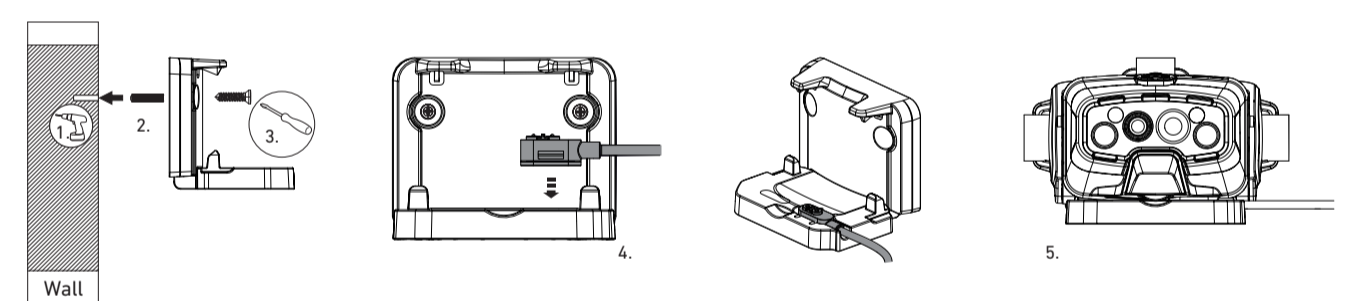
Comfort Pad



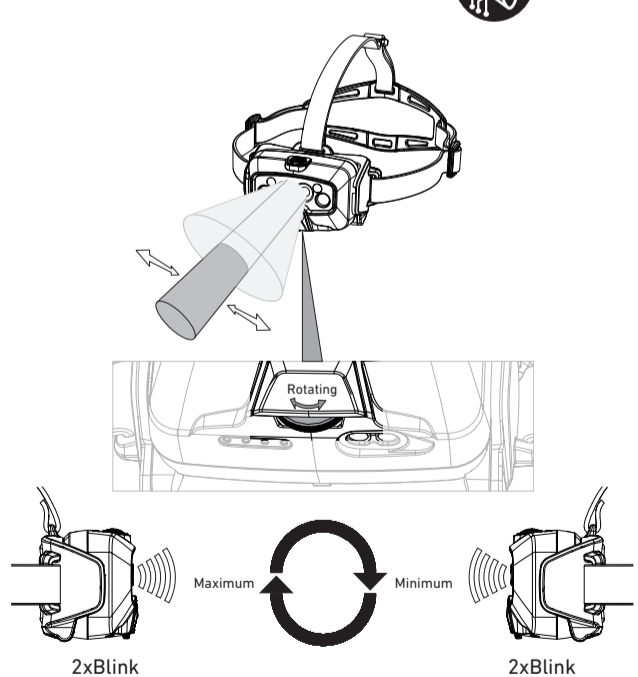
Low Battery Warning



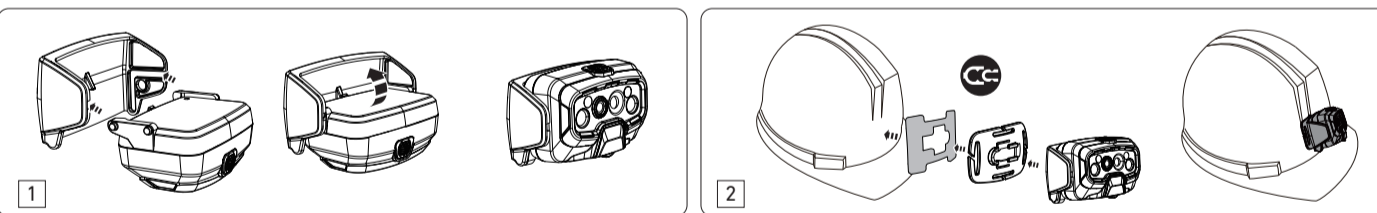
Wall Holder (HF8R Work)



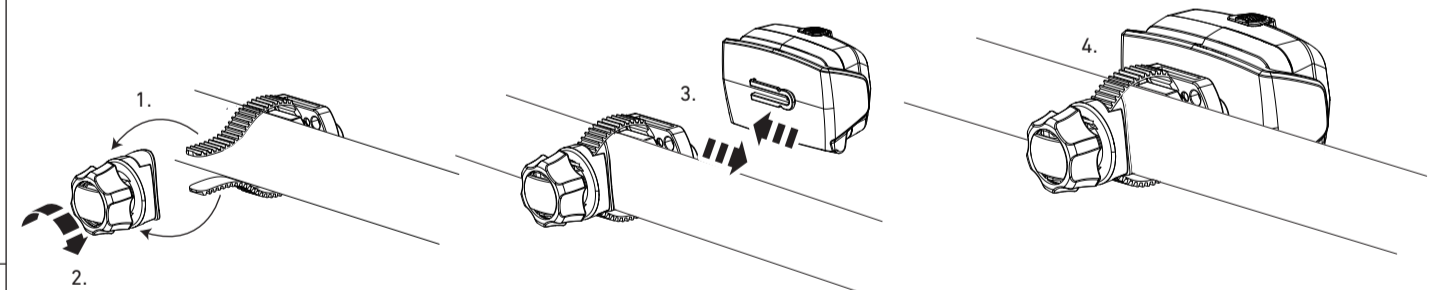
Digital Advanced Focus System



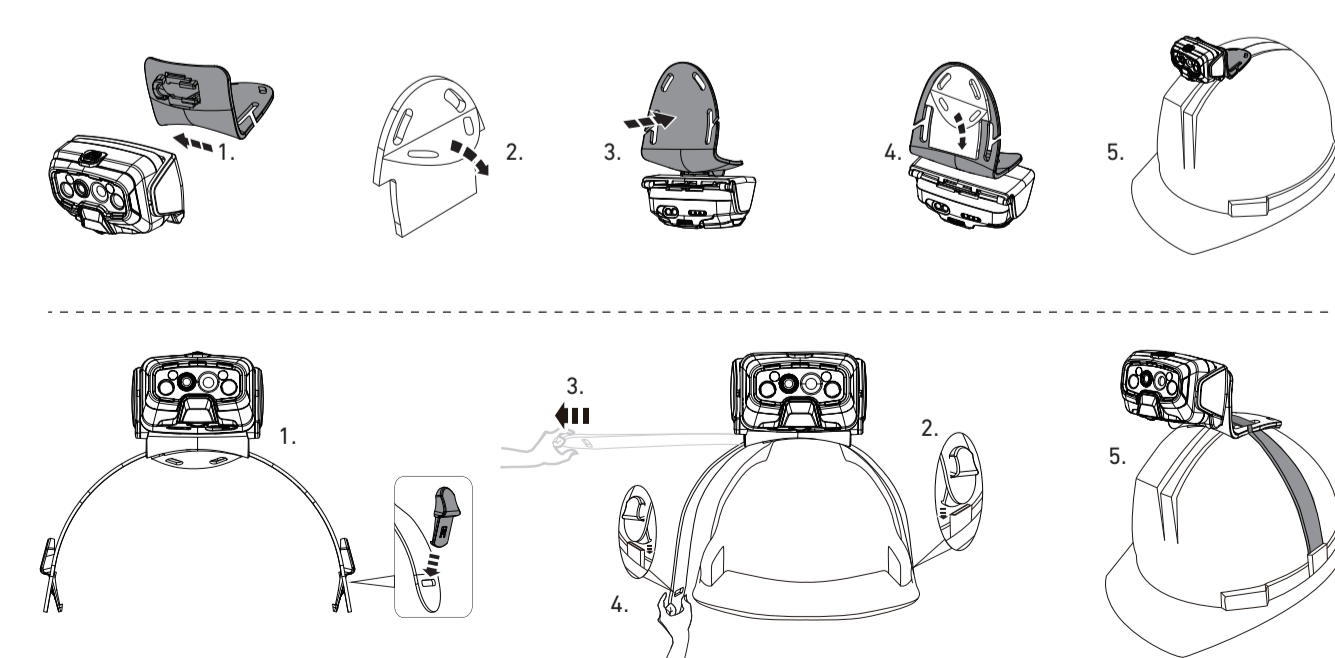
Helmet Adapter (HF8R Work)



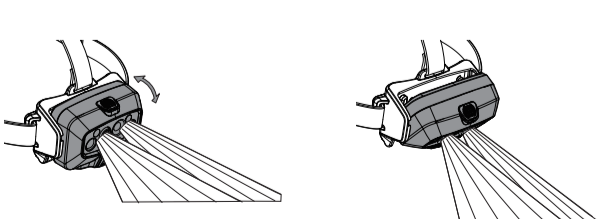
Universal Mounting Bracket (HF8R Signature)



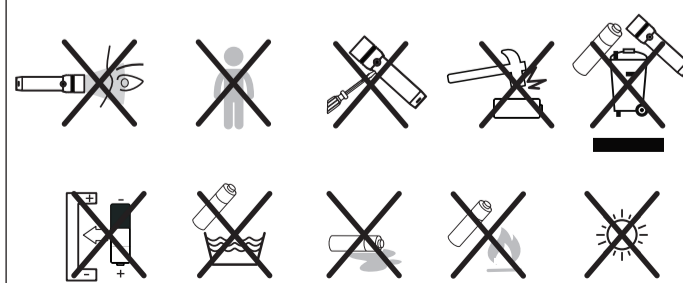
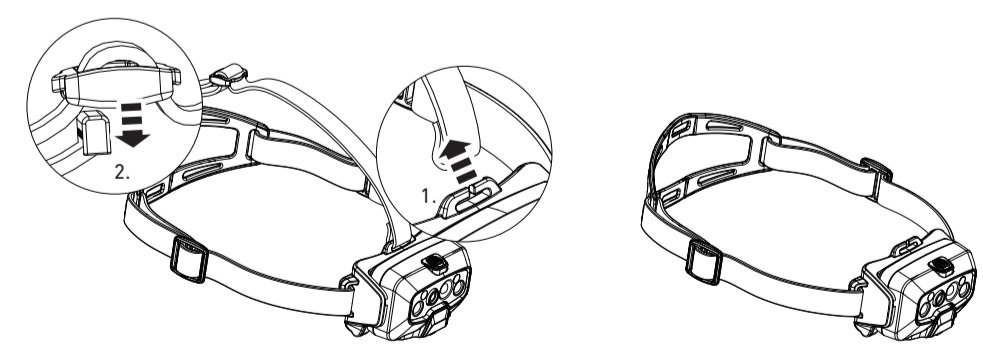
Helmet Connecting System (HF8R Work)



Lamp Head Rotation



Overheadhand

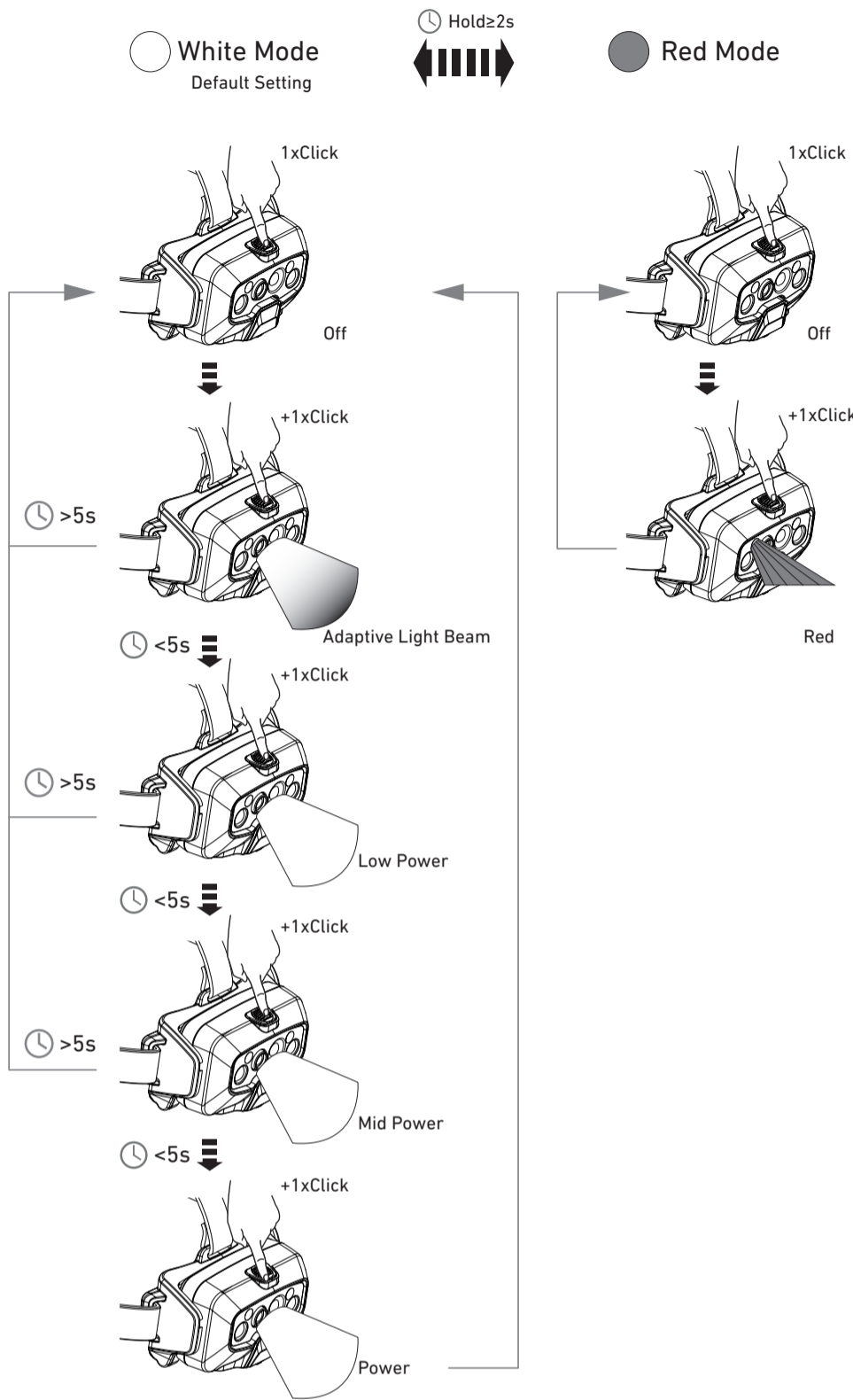


Ledlenser GmbH & Co. KG
Kronenstrasse 5-7 • 42699 Solingen • Germany
Phone +49 212/5948-0 Fax +49 212/5948-200
info@ledlenser.com

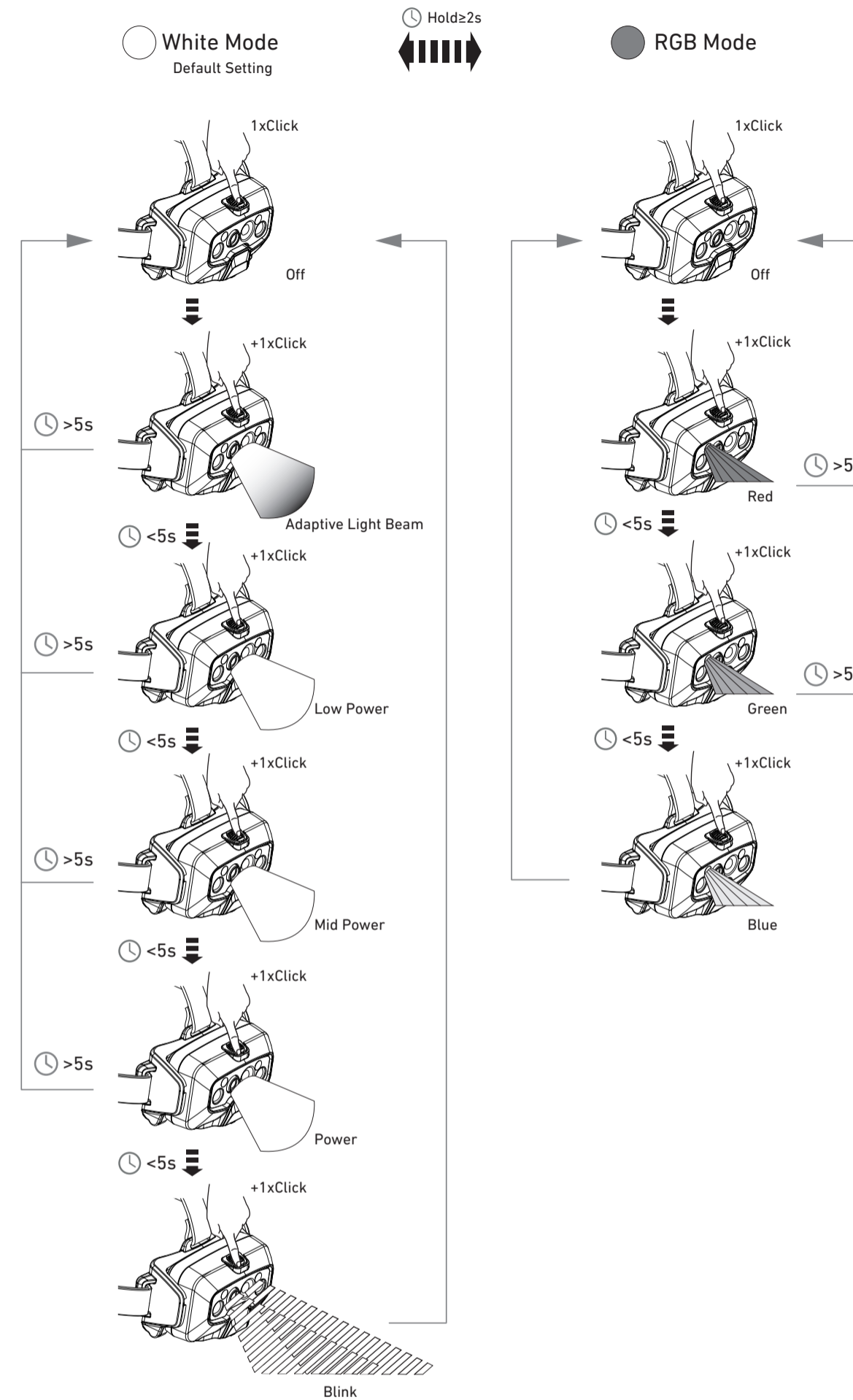


HF8R QUG_V0
2023.11.20
1112A0505

HF8R Core/HF8R Work



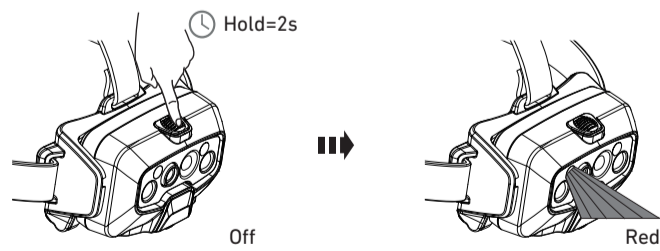
HF8R Signature



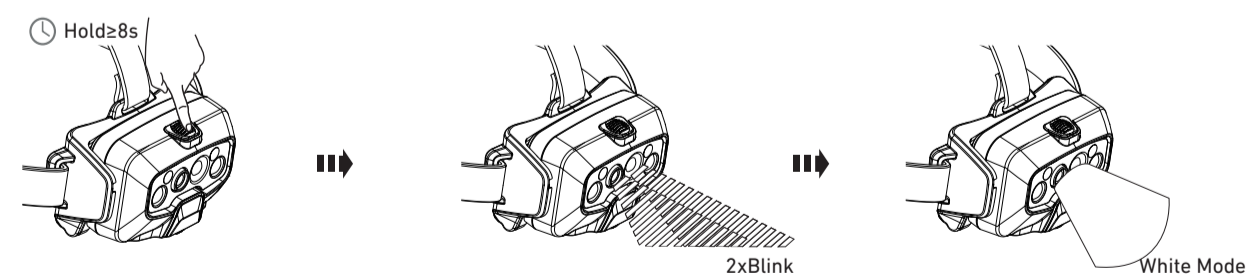
Adaptive Light Beam



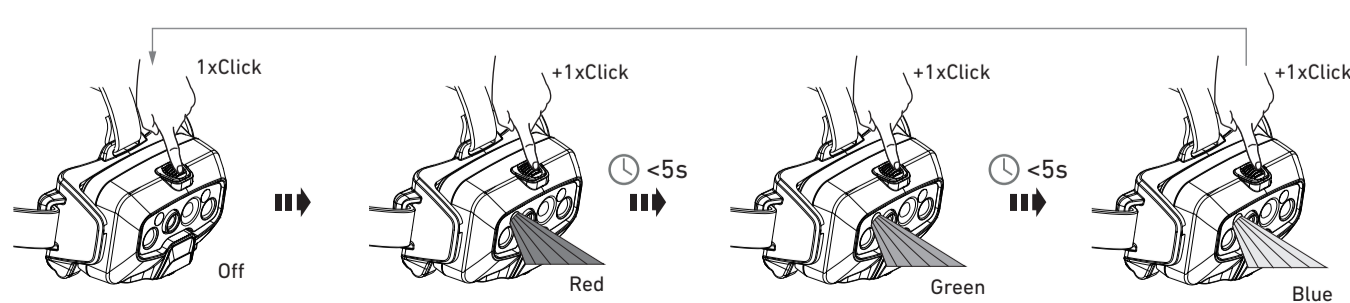
Direct to Red Mode (HF8R Core/HF8R Work)



Reset to default setting



Direct to RGB Mode (HF6R Signature)



APP Mode

