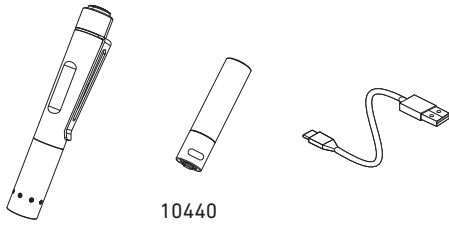
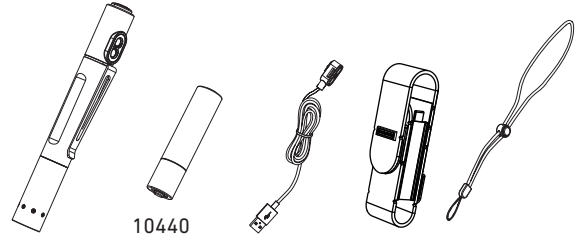


P2R Core



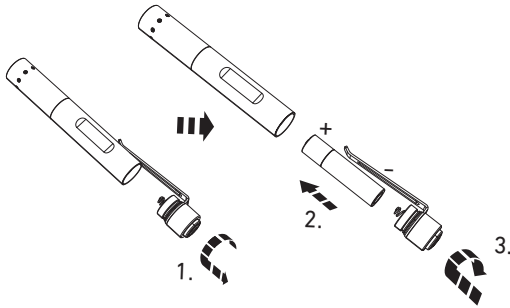
10440

P2R Work

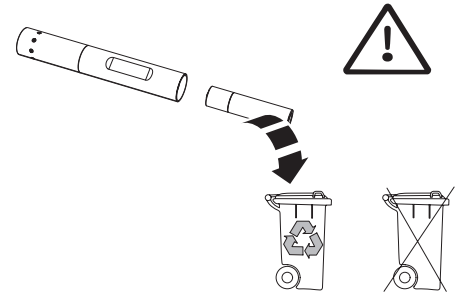


10440

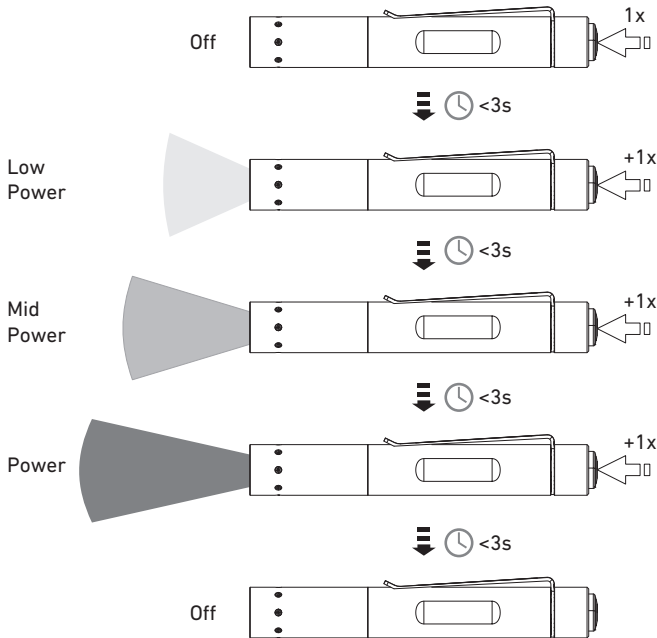
Battery Replacement



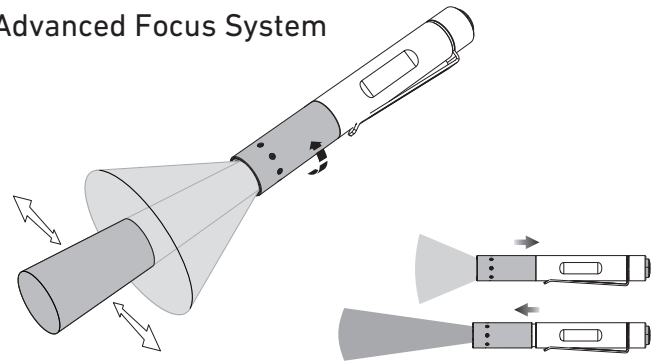
Recycling



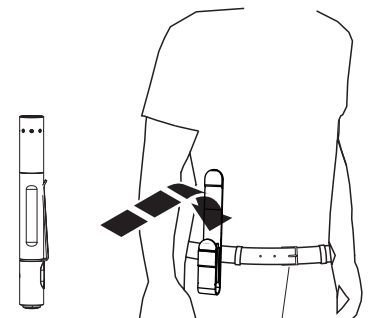
Operation



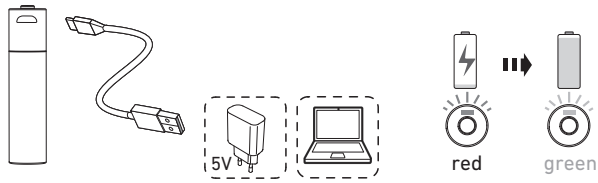
Advanced Focus System



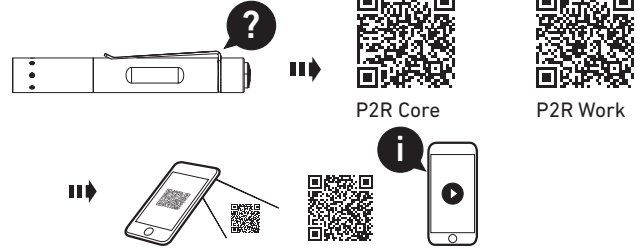
Pouch (P2R Work)



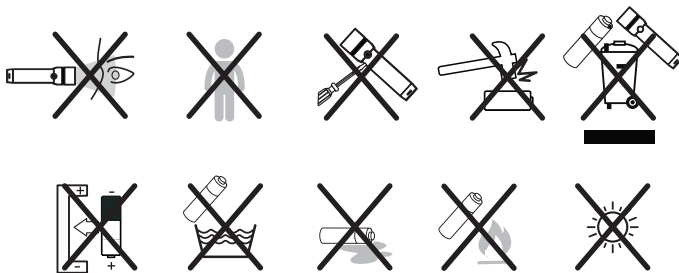
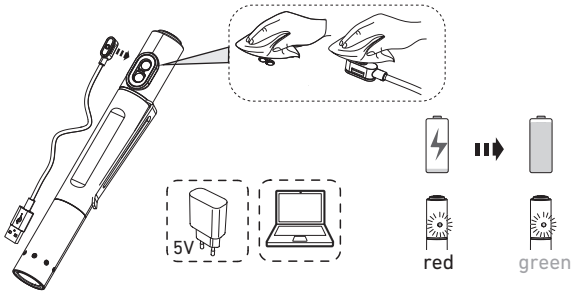
Battery Charging System (P2R Core)



Further Information



Magnetic Charging System (P2R Work)



Ledlenser GmbH & Co. KG
 Kronenstr. 5-7 • 42699 Solingen • Germany
 Phone +49 212/5948-0 Fax +49 212/5948-200
 info@ledlenser.com



ledlenser.com



P2R_V01
 29.06.2020
 1J12A0380